













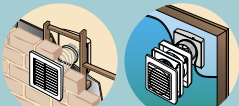


a fresh approach

 **HPM** ventilation equipment

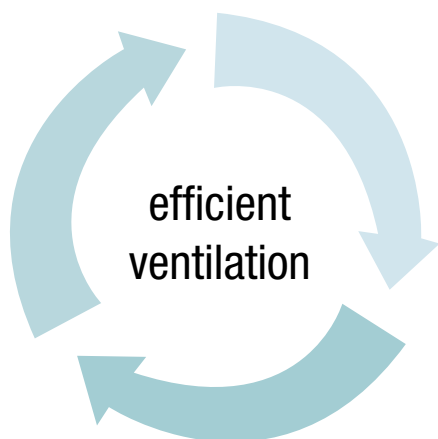


ventilation range quick find index

	MODEL	AIR MOVEMENT RATE	DUCTED	DESCRIPTION
	Low profile 100mm	93m ³ /hr	No	<ul style="list-style-type: none"> • Compact exhaust fans for smaller rooms • Time delay option
	Heavy duty 100mm 12V 100mm	88m ³ /hr 75m ³ /hr	No	<ul style="list-style-type: none"> • Compact exhaust fans for smaller rooms
	Heavy duty 150mm	245m ³ /hr	No	<ul style="list-style-type: none"> • Heavy duty exhaust fans for larger room
	Ceiling 200mm Ceiling 250mm	360m ³ /hr 510m ³ /hr	No	<ul style="list-style-type: none"> • Low profile ceiling exhaust fans
	Fanlight	250m ³ /hr	No	<ul style="list-style-type: none"> • Combination ceiling light and exhaust fan
	Ceiling 100mm (LuminAir)	100m ³ /hr –	Yes (Ducting not included)	<ul style="list-style-type: none"> • LuminAir with exhaust fan • LuminAir vent light
	In-line 150mm	360m ³ /hr	Yes	<ul style="list-style-type: none"> • Exhaust fan, duct, cable ties & grilles
	Ceiling 100mm - ducted	160m ³ /hr	Yes	<ul style="list-style-type: none"> • Low profile ducted ceiling exhaust fan
	Heat lamp	NA	NA	<ul style="list-style-type: none"> • Heater for smaller rooms
	Instant heat 2 Instant heat 4	250m ³ /hr 400m ³ /hr	No No	<ul style="list-style-type: none"> • Combination light, heater and exhaust fan
	Instant heat 2 - ducted Instant heat 4 - ducted	120m ³ /hr 240m ³ /hr	Yes Yes	<ul style="list-style-type: none"> • Combination light, heater and ducted exhaust fan
	Hand dryer	NA	NA	<ul style="list-style-type: none"> • Automatic hand dryer • 1700 Watt
	Ceiling sweep fans	NA	NA	<ul style="list-style-type: none"> • 900mm, 1200mm and 1400mm ceiling sweep fans
	Ventilation accessories	NA	NA	<ul style="list-style-type: none"> • Time delay, weatherproof and automatic switches
	Ventilation accessories	NA	NA	<ul style="list-style-type: none"> • Wall and window mounting kit

CATALOGUE NUMBER	APPLICATION	PAGE
R621/4S, R621/3S		8
R621/4A, VA100SVL12, VA100SVX12		9 10
R621/8A, R621/9A	    	11
R621/1, R621/2, R621/1A, R621/2A	    	12
R620	    	13
LM100L 453746	  	14
R621/6L	     	15
R621D1	    	16
R615	 	17
R622/1AC R622/2AC	 	18
R622D1 R622D2	 	19
R623/1000A	 	20
	 	21
TF770/1RC, XLTF770/1, XLW770		22
R621/4D, R621/6D, R621/4WA, R621/6WA		22

ventilation did you know...



Ventilation is required to maintain 'healthy air' within homes and buildings. Pollutants are carried in the air and absorbed by home contents, such as carpets and soft furnishings, as well as our bodies, causing possible damage.

Problems caused by poor ventilation include:

stale air

Cooking smells, smoking, body odours, a general lack of ventilation around the house, and a damp atmosphere cause stale air. This results in an avoidable level of discomfort, risk of respiratory illness and general poor health.

condensation

Condensation can cause considerable problems, from peeling wallpaper and mould growth to severe structural damage such as wood rot and damp.

Problems occur when steam from the kitchen or bathroom finds a relatively cooler surface and condenses. Sealing windows to conserve heat intensifies the problem because natural ventilation is reduced.

Good ventilation also increases the life of paint in wet areas.

energy efficiency

Recognising the need to reduce energy usage per capita, councils are introducing more stringent building regulations – some of these affect ventilation equipment. Keeping abreast of regulatory requirements and seeking to improve building energy efficiency is recommended. The following outlines two methods of improving energy efficiency.

time delay

Exhaust fans are often most effective after you leave the bathroom or toilet. This is when the fan should be left running to clear away any remaining steam or odours. A normal fan (without time delay) could be left on for hours wasting energy.

There are two ways you can achieve a time delay function. 1. purchasing a fan with built-in time delay function or 2. couple a standard fan with a time delay switch. For more information on time delay switches please see Ventilation Accessories on page 22.

shutters

Shutters prevent outside air from entering interior spaces when the fan is not in use. Isolating external air when a room is being heated or cooled prevents increased energy usage.

Exhaust fans with shutters are recommended for cooler climates because the shutters help keep warm air inside. Similarly, exhaust fans without shutters are more suitable in warmer climates where maximising natural ventilation is important.



choosing the right exhaust fan

Step 1.

Calculate ventilation requirements

How to calculate ventilation requirements:

1. Calculate the room volume in cubic metres length (m) x width (m) x height (m) = Xm^3
2. Calculate the total air movement required per hour-room volume x air changes required per hour (AC/H)
Please refer to table opposite.

Step 2.

Identify the position most suitable for the fan. Please refer to the 'Tips' for guidance on page 23. Determine if you need a ceiling, wall or window mounting fan.

Step 3.

If you have chosen a ceiling fan, determine if ducting is required. Ducting is required if the fan exhausts into an inter-floor space. Ducting can also be required by law when exhausting into ceiling spaces. Check your relevant building regulations.

Step 4.

Choose a fan from listing below satisfying the criteria decided in the steps above.

Room	Bathroom	Kitchen
Volume	2.0m x 2.4m x 2.0m = 9.6m ³	2.4m x 2.8m x 2.4m = 16m ³
No. of AC/H	6	15
Air movement required	6 x 9.6 = 57.6m ³ /hr	16 x 15 = 240m ³ /hr
Suggested fan	R621/3S, 4S, R621/4A	R621/8A and 9A

This table provides suggested air changes per hour (AC/H) under normal conditions.

Location	Air changes per hour
Bathrooms _____	6-10
Kitchens - domestic _____	15-20
Kitchens - commercial* _____	30
Toilets _____	6-10
Bedrooms _____	2-4
Utility rooms _____	15-20
Cellars _____	3-10
Laundries _____	10-30
Entrance halls & corridors _____	3-5
Living rooms _____	3-6
Offices _____	6-10
Garages _____	6-8

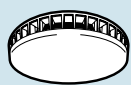
* Some commercial kitchens may require higher ventilation rates, based on cooking equipment in use.

Note: More than one unit may be required to move large volumes of air. Increasing ducting length may decrease performance, efficiency and product life span

Cat No.	Fan size	Product description	Suggested applications	Air displacement
R621/3S	100mm (4")	Low profile wall or ceiling fan with time delay in white	En, WC	93m ³ /hr
R621/4S	100mm (4")	Low profile wall or ceiling fan in white	En, WC	93m ³ /hr
R621/4A	100mm (4")	Heavy duty wall or ceiling exhaust fan	En, WC	88m ³ /hr
VA100SVL12	100mm (4")	12V wall exhaust fan	En, WC	75m ³ /hr
VA100SVX12	100mm (4")	12V wall exhaust fan with shutters	En, WC	75m ³ /hr
R621/8A	150mm (6")	Heavy duty wall exhaust fan	B, En, K, L, WC	245m ³ /hr
R621/9A	150mm (6")	Heavy duty wall exhaust fan with shutters	B, En, K, L, WC	245m ³ /hr
R620	250mm (8")	Ceiling exhaust fan with light	B, En, K, L, WC	250m ³ /hr
R621/1	200mm (8")	Ceiling exhaust fan with round grille	B, En, K, L, WC	360m ³ /hr
R621/2	250mm (10")	Ceiling exhaust fan with round grille	B, En, K, L, WC	510m ³ /hr
R621/1A	200mm (8")	Ceiling exhaust fan with square grille	B, En, K, L, WC	300m ³ /hr
R621/2A	250mm (10")	Ceiling exhaust fan with square grille	B, En, K, L, WC	410m ³ /hr
R621D1	120mm (Centrifugal)	Ceiling exhaust fan with 3m of 100mm dia. ducting	B, En, K, L, WC	160m ³ /hr
LM100L (LuminAir)	100mm (4")	Ceiling exhaust fan and light (suitable in splash zone)	B, En, WC	100m ³ /hr
R621/6L	150mm (6")	Inline exhaust fan kit with 5m of 100mm dia. ducting	B, Bd, En, K, L, WC	360m ³ /hr
R622/1AC	200mm (8")	Instant heat 2-2 x 275W heat lamps, exhaust fan, and 100W light	B, En, WC	250m ³ /hr
R622/2AC	200mm (8")	Instant heat 4-4 x 275W heat lamps, exhaust fan, and 100W light	B, En, WC	400m ³ /hr
R622D1	120mm (Centrifugal)	Instant heat 2-2 x 275W heat lamps, exhaust fan, 60W light, 3m of 100mm dia. ducting and external grille	B, En, WC	120m ³ /hr
R622D2	160mm (Centrifugal)	Instant heat 4-4 x 275W heat lamps, exhaust fan, 100W light, 3m of 100mm dia. ducting and external grille	B, En, WC	240m ³ /hr

Legend: B-Bathroom Bd-Bedroom En-Ensuite K-Kitchen L-Laundry WC-Toilet

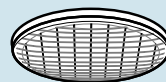
an exhaust fan for every room



R620

fanlight

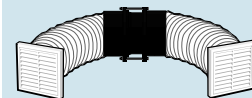
Combined 200mm ceiling fan and light (page 13)



R621/1
R621/2
R621/1A
R621/2A

200, 250mm ceiling fans

Low profile ceiling exhaust fans with round or square grille (page 12)



R621/6L



R621/4A
R621/3S
R621/4S

low profile 100mm fans

With or without time delay optional mounting kits for ducting through walls (page 8+9)



R622D1
R622D2

instant heat - ducted

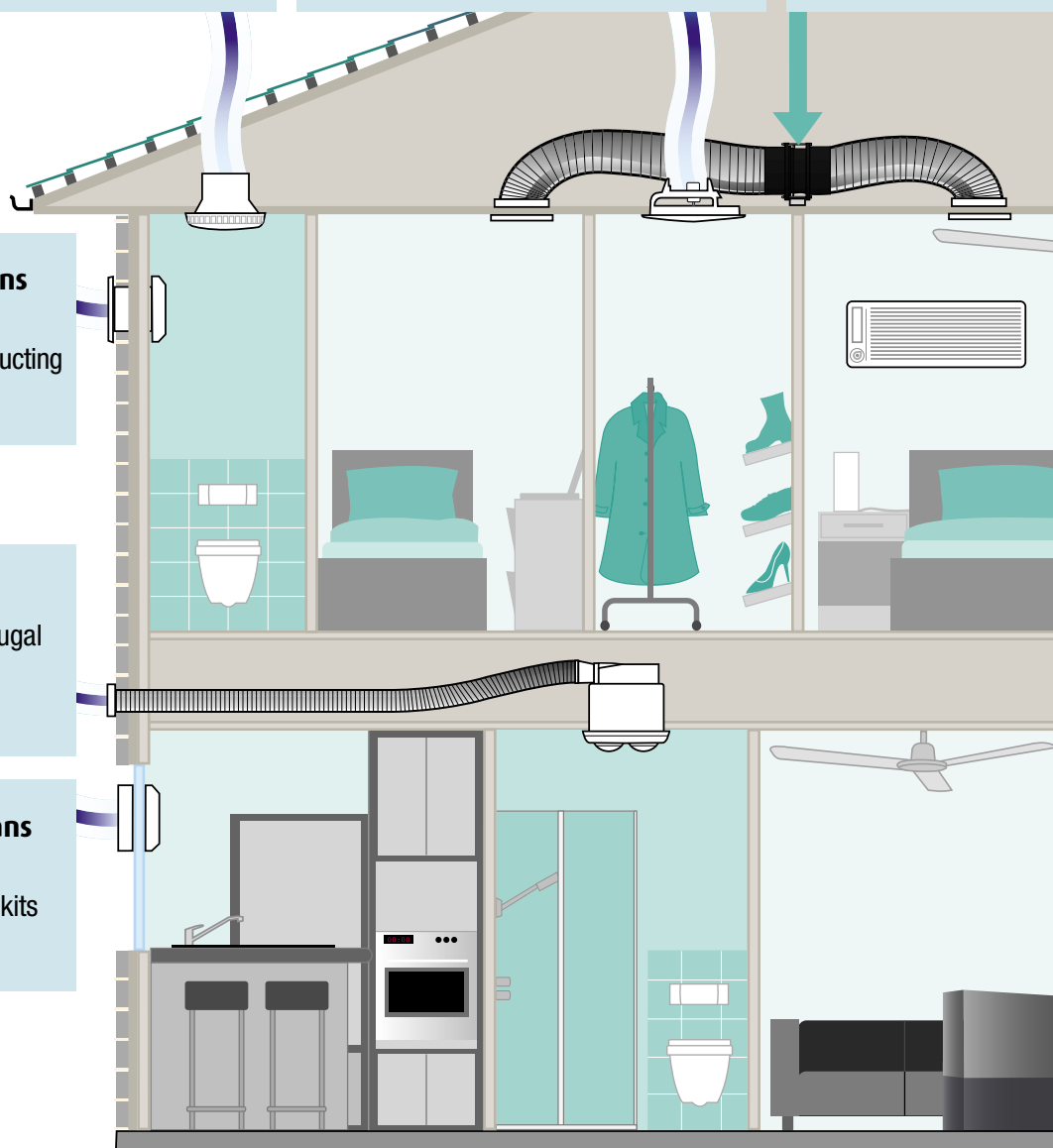
2 or 4 lamp ducted centrifugal exhaust fans and light (page 19)



R621/8A
R621/9A

heavy duty 150mm fans

Heavy duty models with optional window mounting kits (page 11)

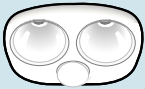


Things to consider when selecting an exhaust fan:

- Size of room and volume of air to be moved (see page 5)
- Whether it's a wet area
- Best position for maximum air movement (see page 23)

in-line 150mm fan

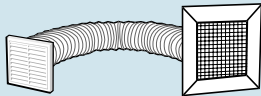
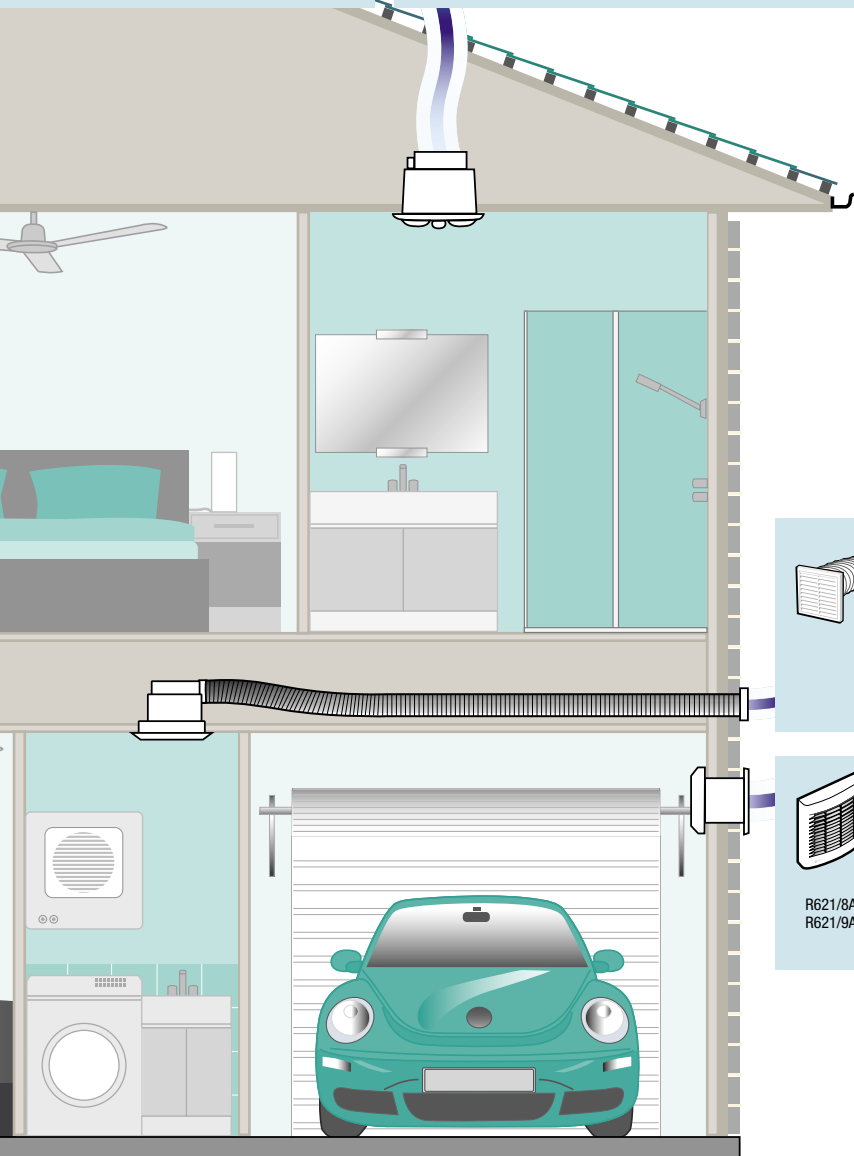
Fan motor is mounted inside roofspace. This connects two locations so air-conditioning can be shared. (page 15)



R622/1AC
R622/2AC
R615

instant heat

2 or 4 lamp exhaust fan and light (page 18)



R621D1

ceiling exhaust fan ducted

Ducted centrifugal fan (page 16)



R621/8A
R621/9A

heavy duty 150mm fans

Heavy duty models with optional wall mounting kits (page 11)

- Where the expelled air goes
- Time delay switches (see page 22)
- Shutters to eliminate backdraft

low profile 100mm



Standard model (white): **Cat R621/4S**
Time delay model (white): **Cat R621/3S**

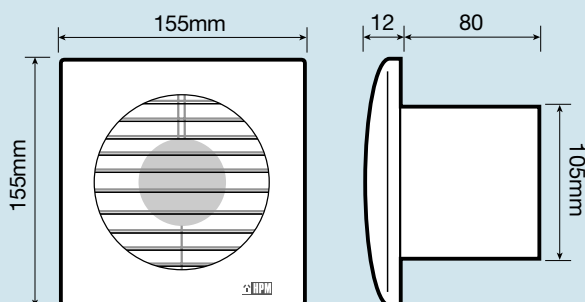
compact, low profile exhaust fans for smaller rooms



*R621/3S only

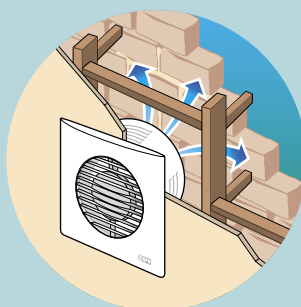
- Suitable for wall or ceiling installation
- Same size as standard wall tile
- Cover removes for easy cleaning
- Adjustable time delay between 3 and 25 minutes (Cat R621/3S)

specifications

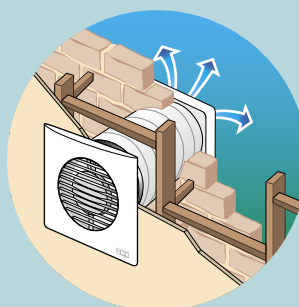


Supply voltage: 230-240V a.c. 50Hz
Motor rating: 22W
Air movement: 93m³/hr
Time delay (R621/3S models only): adjustable between 3 and 25 minutes
Projection into wall/ceiling: 80mm
Face protrusion: 12mm
Impeller diameter: 88mm
Hole cut-out size: 110mm diameter
Weight: 600g
Warranty: 1 year
IP rating: IPX3M

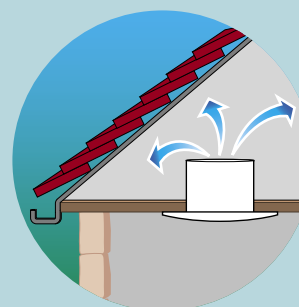
installation



Mounted in cavity wall



Ducted to outside (Cat R621/4D kit)



Ceiling mounted

heavy duty 100mm



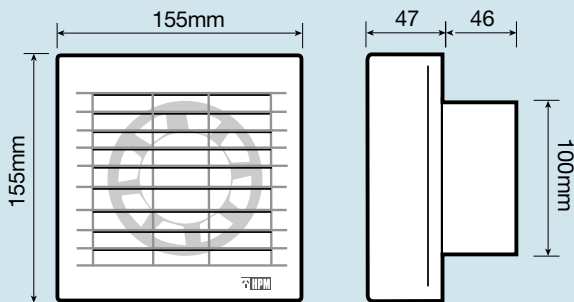
Standard model: **Cat R621/4A**

compact, heavy duty exhaust fan for smaller rooms



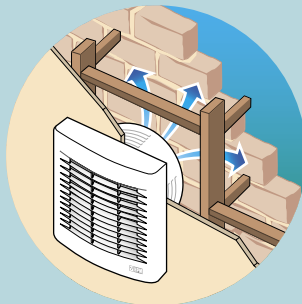
- Ideal for high performance ventilation in smaller rooms
- Quiet operation
- Long lasting motor

specifications

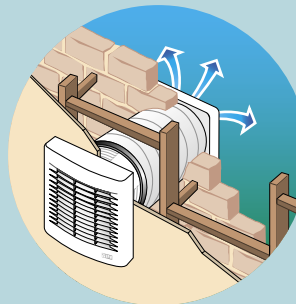


Supply voltage: 230-240V a.c. 50Hz
Motor rating: 16W
Air movement: 88m³/hr (approx)
Projection into wall/ceiling: 46mm
Face protrusion: 47mm
Impeller diameter: 90mm
Hole cut-out size: 105mm dia required for ducting and cable tie
Weight: 700g
Warranty: 3 year
IP rating: IPX3M

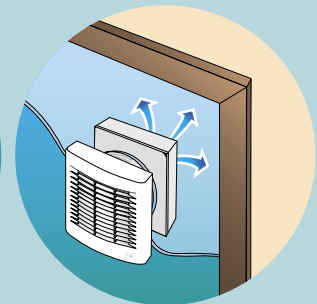
installation



Mounted in cavity wall



Ducted to outside (Cat R621/4D kit)



Window mounted (Cat R621/4WA kit)

12V 100mm



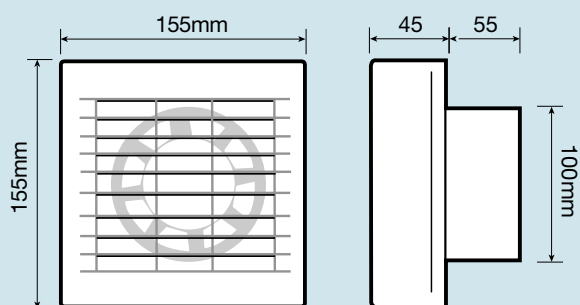
Standard model: **VA100SVL12**
Model with shutters: **VA100SVX12**

low voltage, wet zone
exhaust fan for smaller rooms



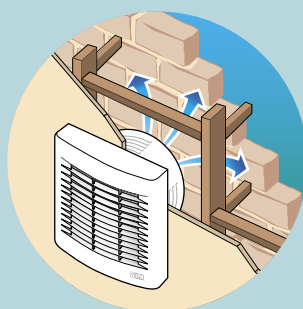
- Extra low voltage for splash zone
- Can be installed within reach of a person in the bath or shower
- Includes 240/12V transformer
- Model with shutters – shutters open when operating and close when the unit is off, preventing backdraft, noise and dust

specifications

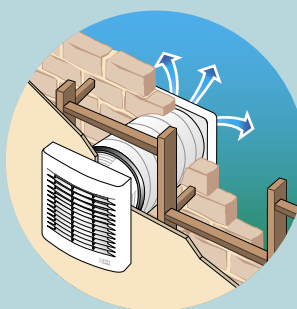


Supply voltage: 230-240V a.c. 50Hz
Transformer secondary voltage: 12V
Motor rating: 18W
Air movement: 75m³/hr
Projection into wall: 55mm
Face protrusion: 45mm
Impeller diameter: 90mm
Hole cut-out size: 105mm
Weight: 500g
Warranty: 1 year
IP rating: IP57

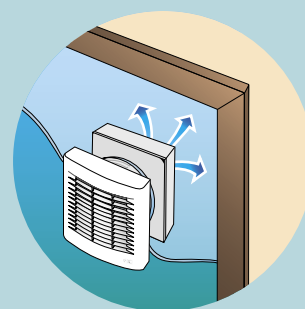
installation



Mounted in
cavity wall



Ducted to outside
(Cat R621/4D kit)



Window mounted
(Cat R621/4WA kit)

heavy duty 150mm



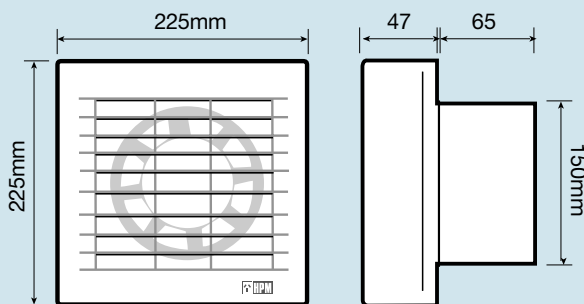
Standard model: **Cat R621/8A**
Model with shutters: **Cat R621/9A**

heavy duty exhaust fans
for larger rooms



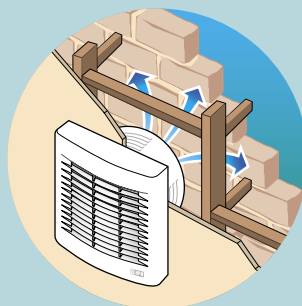
- Suits wall, window or ceiling installation
- High performance, long lasting motor
- Model with shutters – shutters open when operating and close when the unit is off, preventing backdraft, noise and dust

specifications

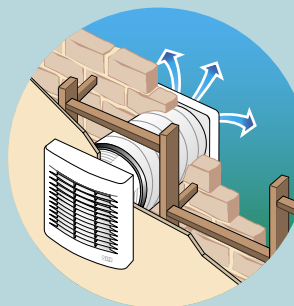


Supply voltage: 230-240V a.c. 50Hz
Motor rating: 29W
Air movement: 245m³/hr (approx)
Projection into wall/ceiling: 65mm
Face protrusion: 47mm
Impeller diameter: 140mm
Hole cut-out size: 160mm dia required for ducting and cable tie
Weight: 965g R621/8A, 1.2kg R621/9A
Warranty: 3 years
IP rating: IPX3M

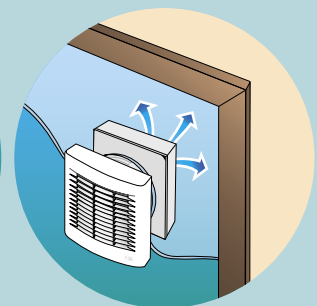
installation



Mounted in
cavity wall



Ducted to outside
(Cat R621/6D kit)



Window mounted
(Cat R621/6WA kit)

ceiling 200 and 250mm



low profile ceiling exhaust fans

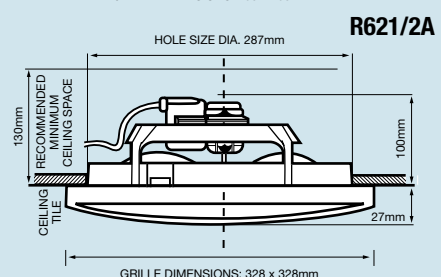
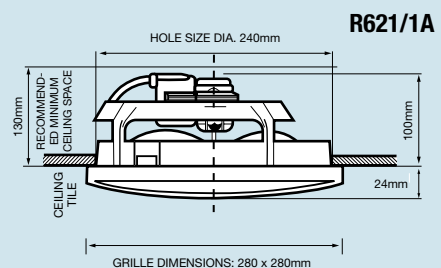
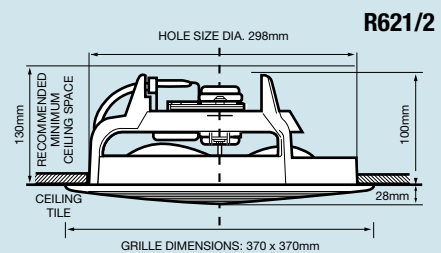
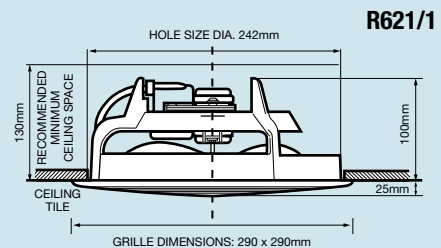


200mm model: **Cat R621/1, R621/1A**
 250mm model: **Cat R621/2, R621/2A**

- Minimal protrusion below the ceiling
- Easy-clean round or square grille
- Complete with lead and 2 pin plug
- Round hole for quick and easy cut-out

specifications

	Round grille R621/1	Round grille R621/2
Supply voltage:	230-240V a.c. 50Hz	230-240V a.c. 50Hz
Motor rating:	35W	38W
Air movement:	360m ³ /hr	510m ³ /hr
Projection into wall/ceiling:	100mm	100mm
Face protrusion:	25mm	28mm
Impeller diameter:	200mm	250mm
Hole cut-out size:	242mm diameter	298mm diameter
Weight:	1.3kg	1.7kg
Warranty:	1 year	1 year
IP rating:	NA	NA
	Square grille R621/1A	Square grille R621/2A
Supply voltage:	230-240V a.c. 50Hz	230-240V a.c. 50Hz
Motor rating:	38W	38W
Air movement:	300m ³ /hr	410m ³ /hr
Projection into wall/ceiling:	100mm	100mm
Face protrusion:	24mm	27mm
Impeller diameter:	200mm	250mm
Hole cut-out size:	240mm	287mm
Weight:	1.3kg	1.7kg
Warranty:	1 year	1 year
IP rating:	NA	NA



fanlight

combination light and exhaust fan

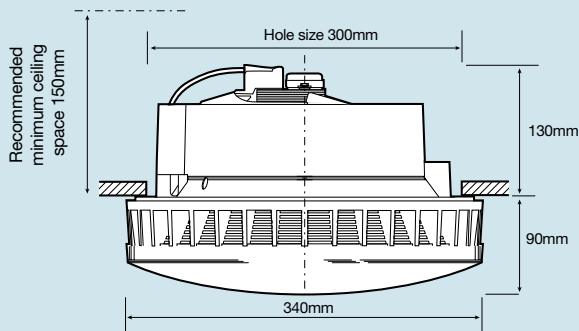


Cat R620



- Easy to wire and install
- Angled vents hide build-up of dirt
- Removable grille and diffuser for easy cleaning

specifications



Supply voltage: 230-240V a.c. 50Hz
Motor rating: 38W
Max. globe rating: 100W BC
Air movement: 250m³/hr (approx)
Projection into ceiling: 130mm
Face protrusion: 90mm
Impeller diameter: 200mm
Hole cut-out size: 300mm dia
Weight: 3.0kg
Warranty: 1 year
IP rating: NA

features/ benefits



Round hole for quick and easy cut-out



Removable grille and diffuser for easy cleaning

ceiling 100mm (luminair)

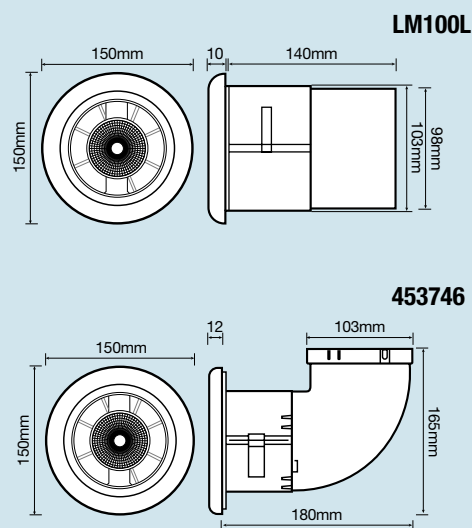


Ceiling vent light: **Cat 453746**
 Ceiling exhaust fan and light: **Cat LM100L**

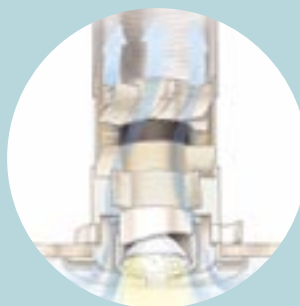
- Extra low voltage for splash zones
- Suited to ducted systems in kitchens, bathrooms, showers, toilets and ensuites
- Quick and easy installation
- Includes 20W long-life halogen lamp
- Includes transformer and fixing instructions

specifications

	LM100L	453746
Supply voltage:	230-240V a.c. 50Hz	230-240V a.c 50/60Hz
Transformer secondary voltage:	12V	12V
Lamp rating:	20W	20W
Lamp type:	Dichroic halogen	Dichroic halogen
Motor rating:	15W	NA
Air movement:	100m ³ /hr	NA
Projection into ceiling:	140mm	180mm
Face protrusion:	10mm	10mm
Impeller diameter:	100mm	NA
Hole cut-out size:	105mm dia	105mm dia
Weight:	750g	500g
Warranty:	1 year	1 year
IP rating:	IP65	IP54



installation



Cat LM100L LuminAir with exhaust fan



Cat 453746 LuminAir Vent Light can be connected with an in-line fan venting to the outside environment

inline 150mm fan



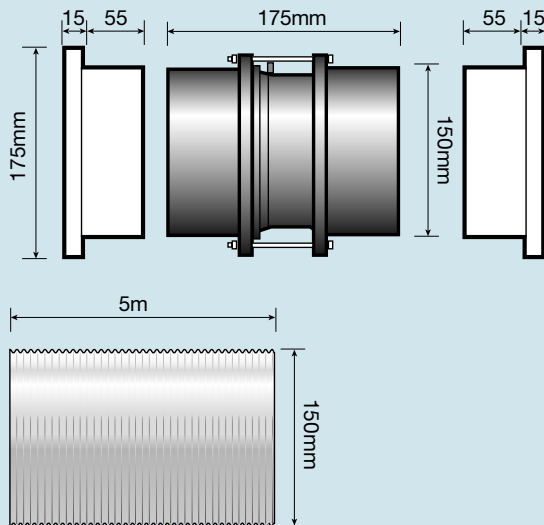
exhaust fan, duct
and grilles



150mm model: **Cat R621/6L**

- Less noise because the fan is mounted further into the ceiling away from the room requiring ventilation
- Ducting to the outside prevents condensation damage to the ceiling
- Ideal for transferring hot or cool air from air-conditioning, fireplaces, and oil heaters from one room to another

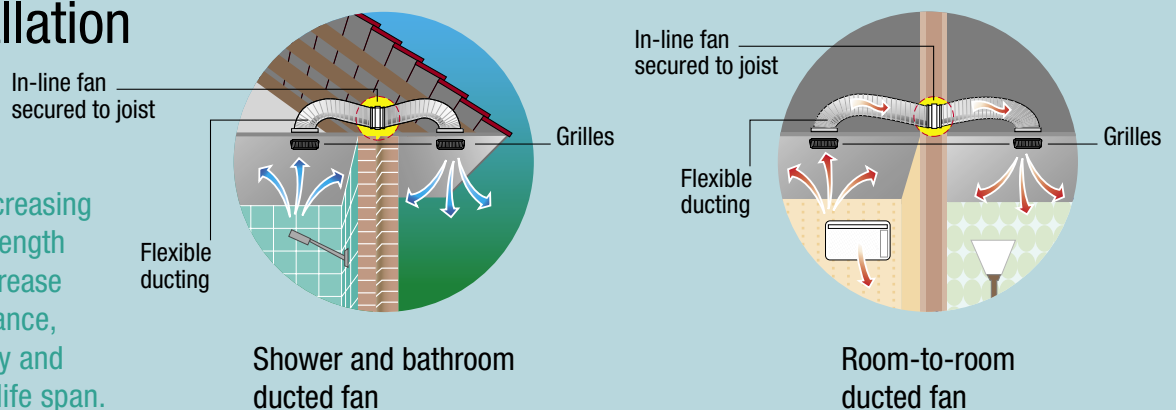
specifications



Supply voltage: 230-240V a.c. 50Hz
Motor rating: 46W
Air movement: 360m³/hr
Flexible duct length: 5m
Face protrusion: 15mm
Impeller diameter: 150mm
Hole cut-out size for grille: 160mm dia
Weight: 2.9kg
Warranty: 1 year
IP rating: NA

installation

Note: Increasing ducting length may decrease performance, efficiency and product life span.



ceiling 100mm - ducted

ceiling exhaust fan, duct and grille

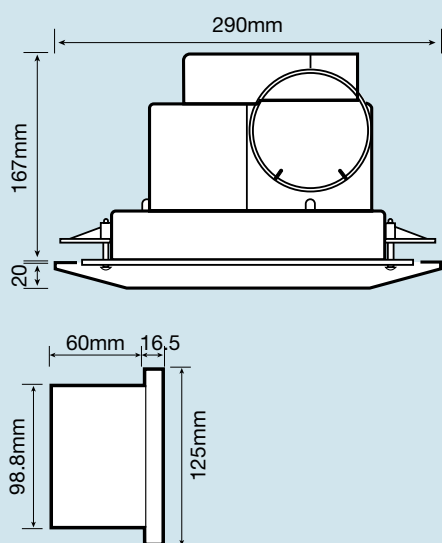


Standard model: **Cat R621D1**



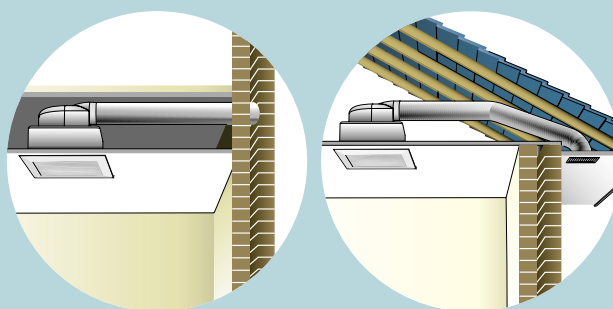
- Suitable for low roof or inter-floor spaces
- Ducting to outside prevents condensation damage to the ceiling
- Built-in draft-stopper improves household energy efficiency
- Supplied with 3m ducting, grille, lead and plug – ready for installation

specifications



Supply voltage: 240V a.c. 50Hz
Motor rating: 34W
Air movement rate: 160m³/hr with 3m ducting
Grille dimensions: 290mm square
Projection into ceiling: 167mm
Face protrusion: 20mm
Fan size: 120mm centrifugal
Hole cut-out size: 230mm x 252mm
Duct size: 100mm diameter
Flexible ducting: 100mm dia x 3m
Weight: 2kg
Warranty: 1 year
IP rating: NA

installation



Note: Increasing ducting length may decrease performance, efficiency and product life span.

Multi storey application

Standard roof application

heatlamp



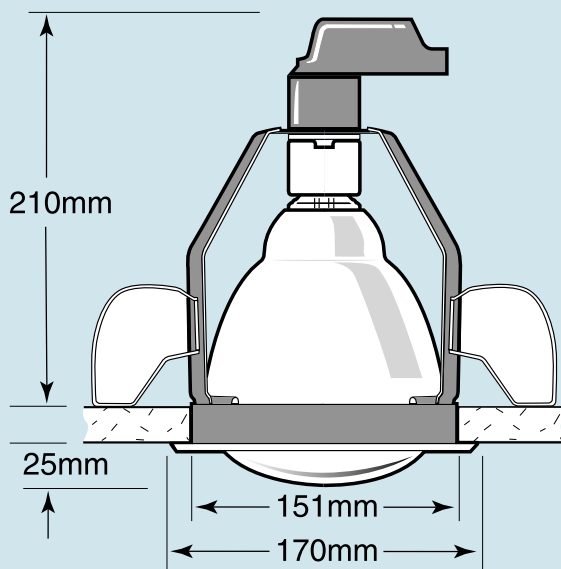
Cat R615

1x275 watt heater for smaller
bathrooms, toilets or ensuites



- Lamp may be dimmed for variable heat
- Multiple heat lights can be installed in larger rooms
- 5 year warranty on materials and workmanship
- 2 year warranty on infra red lamps
- Round hole cut-out for easy installation

specifications



Supply Voltage: 230-240V a.c. 50Hz

Max. rating: 275W

Heat lamps: 1 x 275W

Projection into ceiling: 210mm

Face protrusion: 25mm

Hole cut-out size: 151mm dia

Weight: 750g

Warranty: 5 years on material
and workmanship
2 years on infra red lamps

IP rating: NA

instant heat 2 and 4



combination light, heater
and exhaust fan for larger
bathrooms and ensuites



2 heat lamp model: **Cat R622/1AC**
4 heat lamp model: **Cat R622/2AC**

- Instantaneous heat at the flick of a switch
- Individual controls for each function
- HPM excel switch plate included
- More economical to run than most heaters
- 5 year warranty on materials and workmanship
- 2 year warranty on infra red lamps
- ★ Not available in New Zealand

specifications

Instant heat 2

Supply voltage: 230-240V a.c. 50Hz

Max rating: 690W

Motor rating: 40W

Heat lamps: 2 x 275W

Light lamps: 1 x 100W ES

Air movement rate: 250m³/hr

Projection into ceiling: 200mm

Face protrusion: 40mm

Impeller diameter: 230mm

Hole cut-out size: 300mm dia

Weight: 3.3kg

Warranty: 5 years on material
and workmanship
2 years on infra red lamps

IP Rating: NA

Instant heat 4

Supply voltage: 230-240V a.c. 50Hz

Max rating: 1240W

Motor rating: 40W

Heat lamps: 4 x 275W

Light lamps: 1 x 100W ES

Air movement rate: 400m³/hr

Projection into ceiling: 200mm

Face protrusion: 40mm

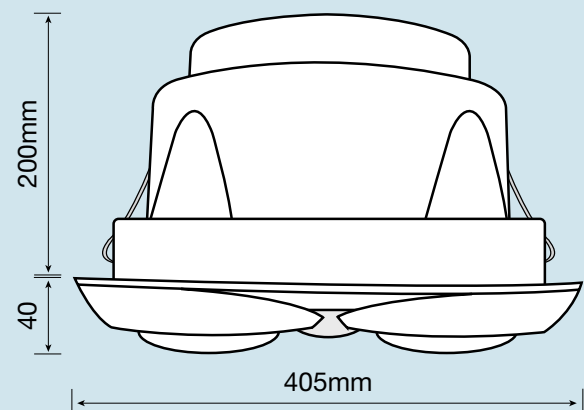
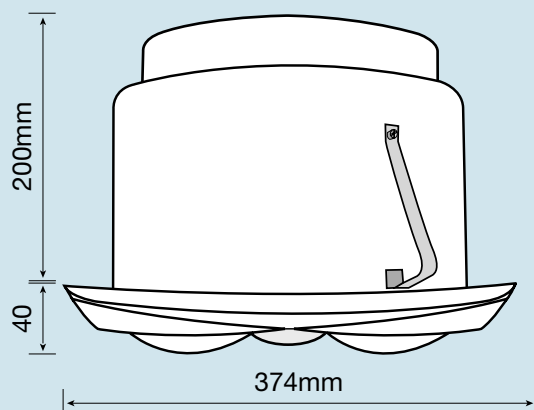
Impeller diameter: 230mm

Hole cut-out size: 322mm square

Weight: 4.5kg

Warranty: 5 years on material
and workmanship
2 years on infra red lamps

IP Rating: NA



instant heat 2 and 4 - ducted



2 heat lamp model: **Cat R622D1**

4 heat lamp model: **Cat R622D2**

combination light, heater
and ducted exhaust fan for
bathrooms and ensuites



- Instant heat at the flick of a switch
- HPM Excel switch plate included
- Suitable for low roof or inter-floor spaces
- Ducting to outside prevents condensation damage to the ceiling
- Built-in draft-stopper improves household energy efficiency
- 5 year warranty on materials and workmanship
- 2 year warranty on infra red lamps

specifications

Instant heat 2-ducted

Supply voltage: 230-240V a.c. 50Hz

Max rating: 630W

Motor rating: 20W (centrifugal)

Heat lamps: 2 x 275W

Light lamps: 1 x 60W ES

Flexible ducting: 100mm dia x 3m

Air movement: 120m³/hr with 3m ducting

Projection into wall/ceiling: 200mm

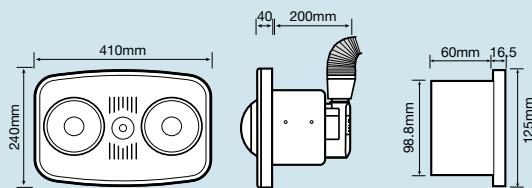
Face protrusion: 40mm

Rotor diameter: 120mm

Hole cut-out size: 335 x 180mm

Weight: 3.0kg

IP rating: NA



Instant heat 4-ducted

Supply voltage: 230-240V a.c. 50Hz

Max rating: 1240W

Motor rating: 40W (centrifugal)

Heat lamps: 4 x 275W

Light lamps: 1 x 100W ES

Flexible ducting: 100mm dia x 3m

Air movement: 240m³/hr with 3m ducting

Projection into wall/ceiling: 210mm

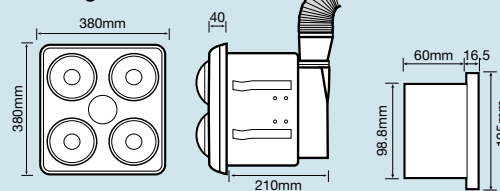
Face protrusion: 40mm

Rotor diameter: 160mm

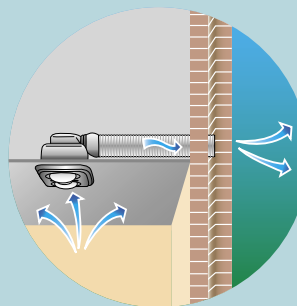
Hole cut-out size: 310 x 310mm

Weight: 4.5kg

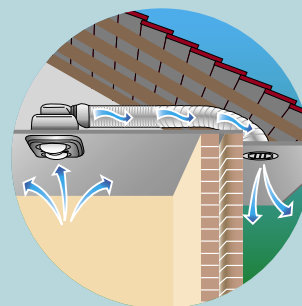
IP rating: NA



installation



Multi storey
application



Standard roof
application

Note: Increasing ducting length may decrease performance, efficiency and product life span.

automatic hand dryer

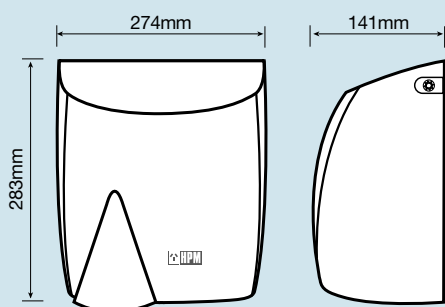


Cat R623/1000A



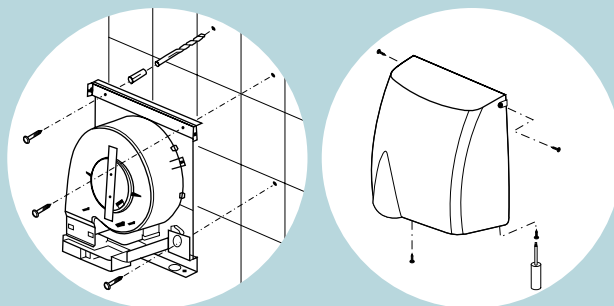
- Senses hand movement and issues power only when required - saving energy and money
- Eliminates labour required to re-order, stock, and clean-up consumables – more cost efficient and cleaner than paper towel and linen
- Quiet operation
- Quick and easy installation
- * New Zealand – indent only

specifications



Voltage: 230-240V a.c. 50Hz
Rated power: 1700W
Bezel Colour: White
Material: High-grade ABS/Polycarbonate
Air movement rate: NA
Projection into wall: 0mm
Face protrusion: 141 mm
Hole cut-out size: NA
Weight: 2.6kg
Warranty: 1 year
IP rating: NA

installation



ceiling sweep fans

900mm, 1200mm and
1400mm ceiling sweep fans



- Hangsure or j-hook
- Aluminium "quick connect" blades for easy fixing
- Pre-wired for time-saving installation
- Fully light adaptable
- Reversible operation for summer and winter
- 3 speed flush mount controller including HPM Excel mounting plate
- Heavy-duty sealed bearings
- * Not available in New Zealand



ventilation accessories



Cat TF770/1RC
Cat XLTF770/1

time delay switch

- Switch off light and keep fan running for better ventilation results
- Fan run-on time adjustable to 3, 10 or 20 minutes (approx)
- Prevents fan being accidentally left on - saves energy

specifications

Supply voltage: 230-240V a.c. 50Hz
Lamp circuit max load: 2400VA
Fan circuit max load: 600VA
Fan circuit min load: 7VA
Plate size: 117mm x 73mm (XLTF770/1)
Time delay: 3, 10, or 20 mins
IP rating: NA



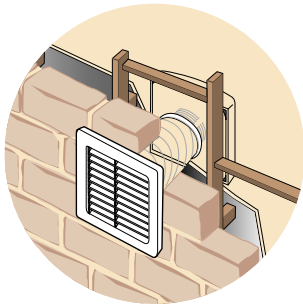
Cat XLW770 series

weatherproof switches

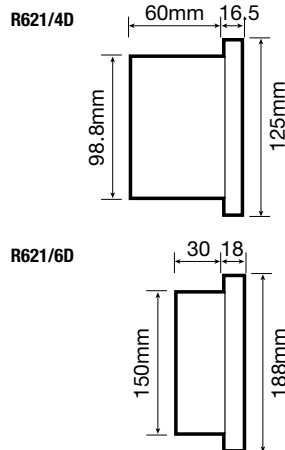
- May be installed in restricted wet zones including bathrooms, laundries, ensuites and even outdoors
- IP56 rating
- Flush or surface mounted using Cat 239 mounting block
- Available in one or two gang in vertical or horizontal

specifications

Supply voltage: 230-240V a.c. 50Hz
Rating: 10A
Plate size: 117mm x 73mm
IP rating: IP56



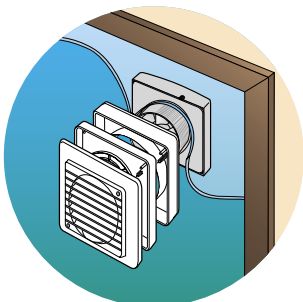
100mm kit-R621/4D
150mm kit-R621/6D



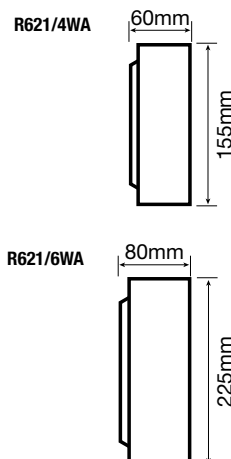
wall ducting kit

Includes exterior wall grille, 350mm of ducting, cable ties and wall plugs

- R621/4D and R621/6D suit 100mm and 150mm exhaust fans respectively
- Economical and convenient for ducting through to outside
- Typical wall installations include double brick walls, brick veneer, cladded exterior walls
- Projection into wall: R621/4D - 60mm, R621/6D - 30mm



100mm kit-R621/4WA
150mm kit-R621/6WA

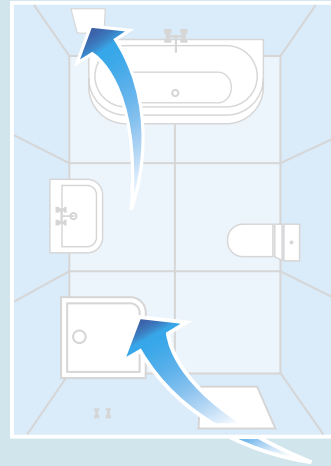
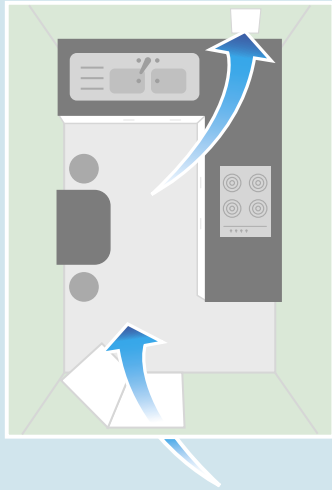


window kits

Includes gaskets for watertight seal, exterior grille and a fixing plate

- 100mm kit suits Cat R621/4A heavy duty wall exhaust fan
- 150mm kit suits Cat R621/8A & R621/9A heavy duty wall exhaust fans
- Economical and convenient for exhausting steam and odours through a window
- Grille dimensions R621/4WA: 155w x 155h x 60d
- Grille dimensions R621/6WA: 225w x 220h x 80d

- Locate the fan, if possible, on the opposite side of the room and as far away as possible from the main fresh air source. Ideally, position the fan so vapour sources such as showers and stoves, fall within the air flow path. Please see diagrams.



- Consider the fresh air flow within the room. Adequate fresh air is crucial to an exhaust fan's performance; fresh air is required to replace the air exhausted. In rooms where doors and windows are usually closed, consider installing wall or door grilles.
- Positioning fans as high as possible will increase the exhaustion of air often trapped near the ceiling.
- Wall mounting - check your potential position has no hidden pipes or cables nearby, and your potential position on the outside wall is free of drainpipes.
Please note: not all fans can be wall mounted.
- Ceiling mounting - check the area above the proposed fan location is free of joists, pipes or cable.
Please note: not all fans can be ceiling mounted.
- Window mounting - HPM recommends a professional glazier pre-cuts the glass. If there is pre-existing stress in the glass, it could crack during cutting.
- Wire exhaust fans to turn-on simultaneously with lights. This increases usage and therefore increases benefits.
- Install time delay units such as HPM's TF770/1 and XLTF770/1 to prevent unintentional usage and energy waste.
- Clean fan grilles periodically by removing obstructions from both inlets and outlets to help ensure maximum performance.
- To extend the life of an exhaust fan or heat lamp, operate upon entering the room - before using room facilities. For example, before having a shower.



R621/3S R621/4S



R621/4A



R621/8A, R621/9A



R621/1A, R621/2A



R621/1, R621/2



R620



LM100L, 453746



R621/6L



R621D1



R615



R622/1AC



R622/2AC



R622D1



R622D2



R623/1000A



WATCF12, WATCF12BSJ

Other HPM products



COMO
EUROSTYLE SWITCHES & OUTLETS



HPM Electresafe™



Linea™



AQUA
WEATHERPROOF

image: www.photocase.com

HPM Industries Pty Ltd Australia ABN 31 000 102 661

Tel: 1300 369 777 Web: www.hpm.com.au

HPM NZ Ltd

Tel: 0800 476 009 Web: www.hpm.co.nz

